

STACKING KIT KBCSTK30

BC0530A-1A ON BC0530A-1A STACKING INSTRUCTIONS

SAFETY WARNINGS AND INFORMATION



CAUTION

KNOWLEDGE OF PROPER INSTALLATION AND SERVICE PROCEDURES IS ESSENTIAL TO THE SAFE OPERATION AND MAINTENANCE OF KOLD-DRAFT EQUIPMENT. REFER ALL INSTALLATION AND SERVICE WORK TO QUALIFIED TECHNICIANS.

ALWAYS DISCONNECT THE POWER SUPPLY BEFORE SERVICING THE EQUIPMENT OR WHEN THE EQUIPMENT WILL NOT BE USED FOR A PERIOD OF TIME. SOME CIRCUITS REMAIN ENERGIZED WHEN THE ICE MACHINE IS SWITCHED OFF.

NEVER OPERATE EQUIPMENT THAT HAS BEEN DAMAGED OR DOES NOT HAVE ALL THE PROTECTIVE COVERS IN PLACE.

NEVER OPERATE EQUIPMENT THAT HAS BEEN ALTERED FROM THE ORIGINAL KOLD-DRAFT SPECIFICATIONS.

SPECIAL ATTENTION SHOULD BE GIVEN TO POTENTIAL HAZARD LABELING ON THE EQUIPMENT AND THE SIGNAL WORDS AND SYMBOLS THAT ARE USED THROUGHOUT THIS MANUAL.

INSTRUCT ALL PERSONNEL IN THE PROPER USE OF THE EQUIPMENT.

CLEAN UP ANY SPILLAGE IMMEDIATELY.

FAILURE TO COMPLY WITH ALL KOLD-DRAFT INSTALLATION GUIDELINES MAY CAUSE PERSONAL INJURY, EQUIPMENT OR PROPERTY DAMAGE AND MAY VOID THE PRODUCT WARRANTY.

STACKING INSTRUCTIONS

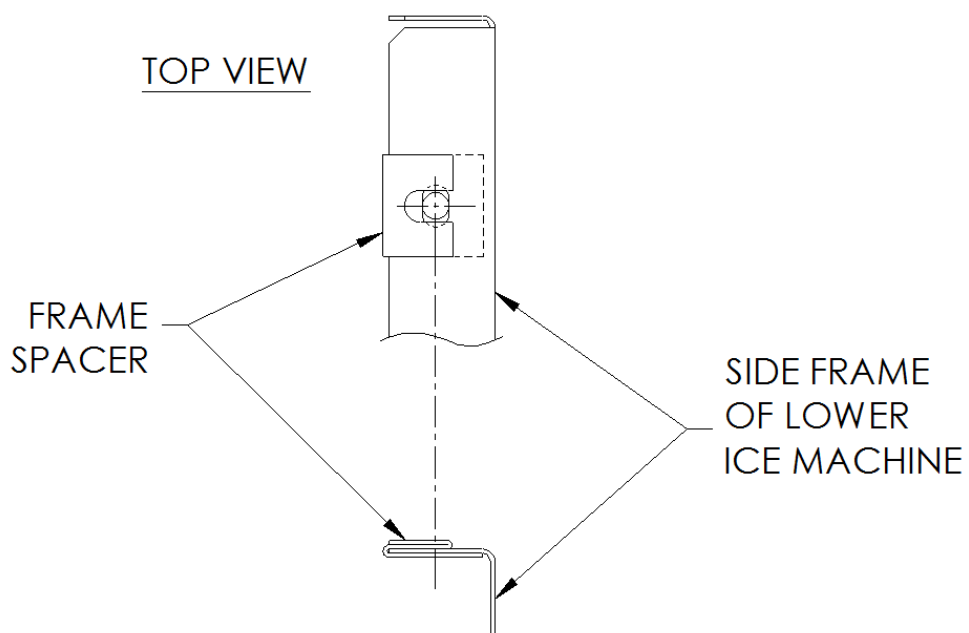
Remove the cabinet panels from the upper and lower ice machines.

Mount the frame spacers on the top side-panel flanges of the lower ice machine frame.

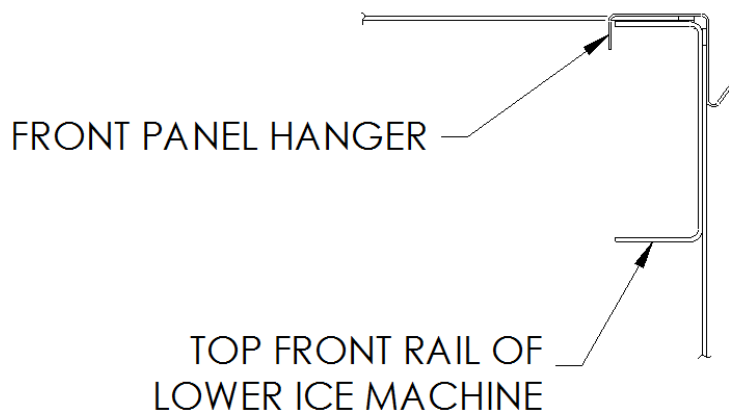
Position so the spacer holes are aligned with the holes in the frame (see illustration below).

Position the front panel hanger on the top front rail of the lower ice machine (see illustration below).

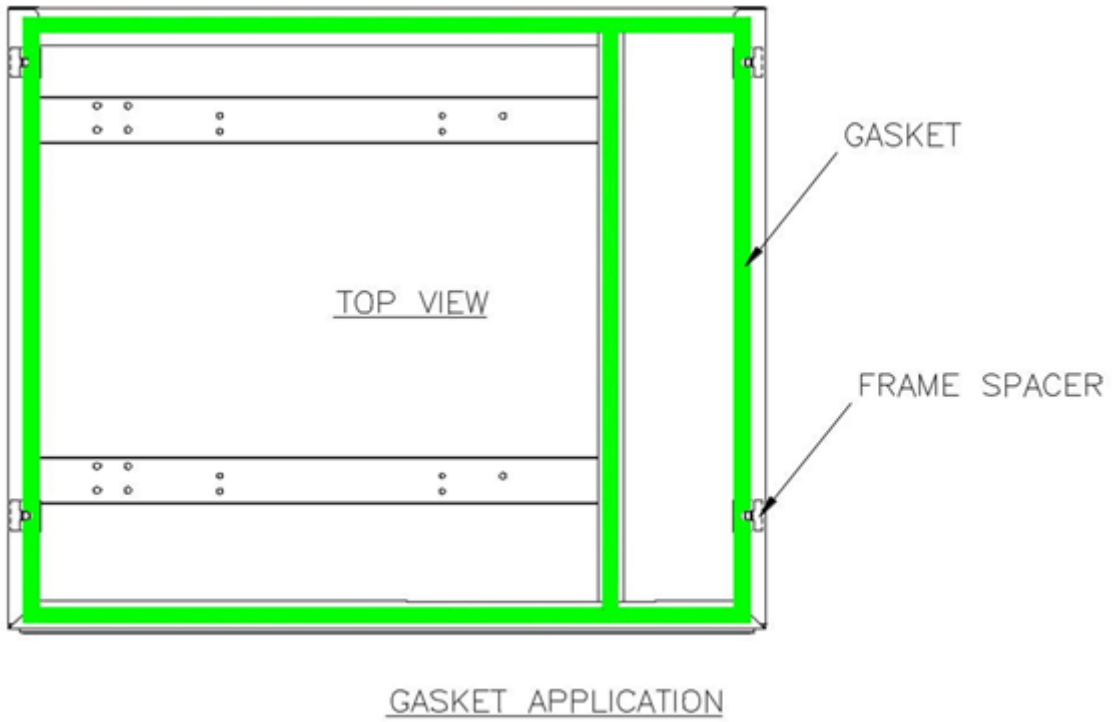
FRAME SPACER PLACEMENT



FRONT PANEL HANGER PLACEMENT



Apply the gasket provided to the top of the lower ice machine frame as shown. Place the gasket over the frame spacers to secure them in position (see illustration below).

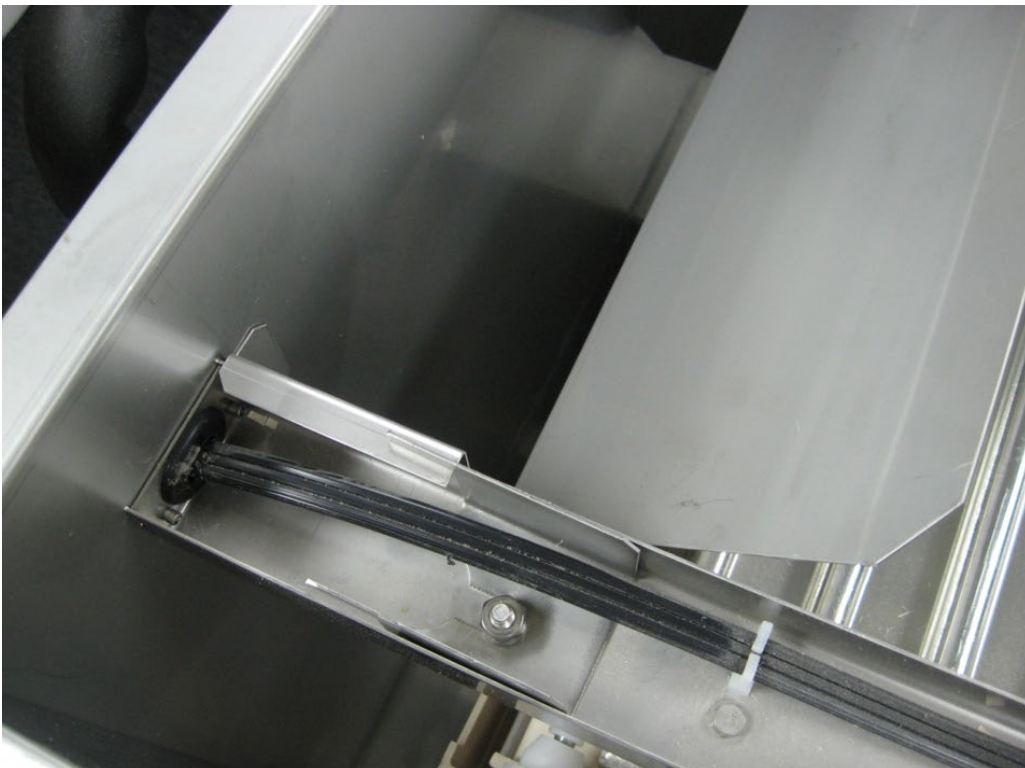
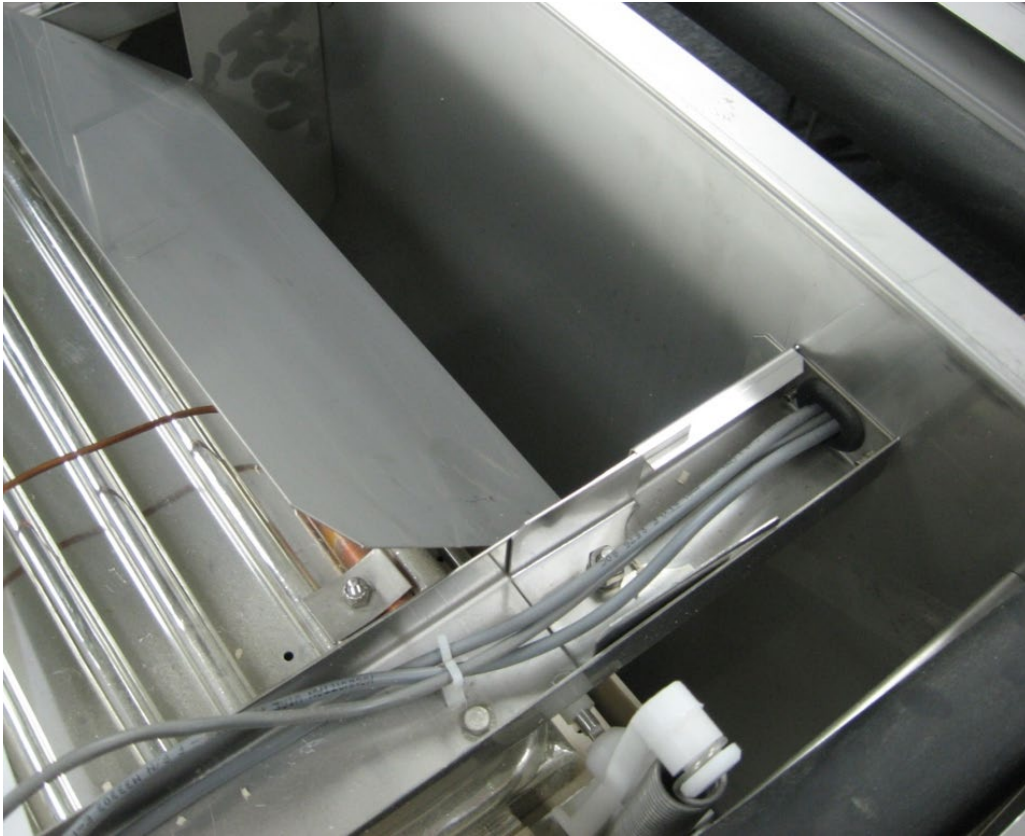


Position the stacking chute in the lower machine as shown. Locate on the support channels, against the partition wall.



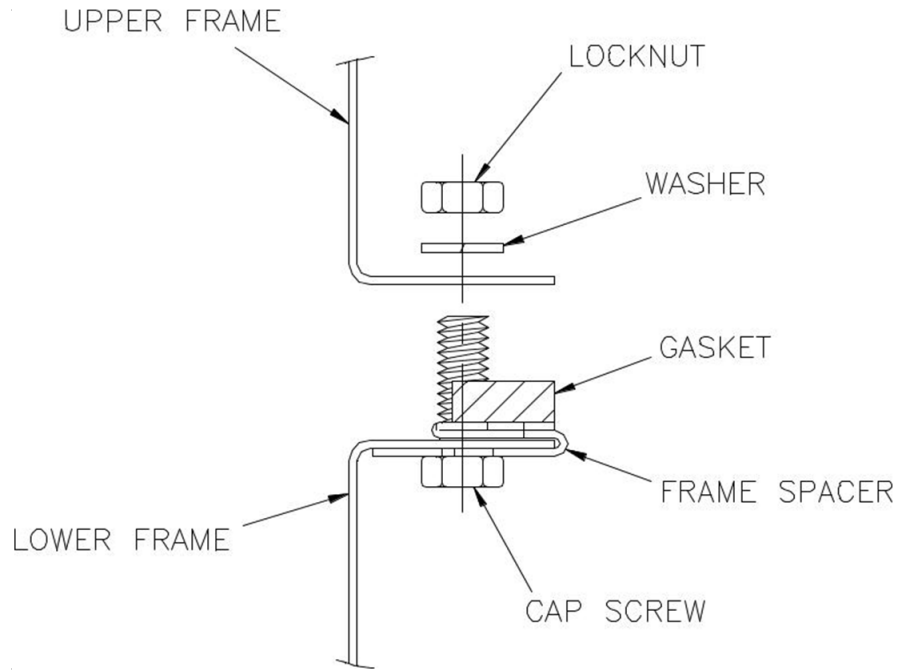
Loosen the nuts holding on the cam shaft brackets and slip the stacking chute lock under the nuts and lock washers. Slide the stacking chute lock tight against the stacking chute and tighten the nuts.

Note: Make sure that all wires are above the stacking chute locks and not pinched by any of the components.



Carefully lift the upper machine and place it on top of the lower machine and align the frames. Fasten the frames together using the screws, washers and lock nuts provided (see illustration below).

Danger: It is highly recommended that 2 or more people perform this job, some stacking instances will require the use of additional lifting equipment. If the machine falls it could cause serious injury or death.



Replace the front and back deflectors, provided with the ice machine, with the deflectors provided in the stacking kit. Install the deflectors into the slots in the back wall and front rail. Push down on the deflectors until they engage the stacking chute and snap in place.



Remove the bin probe of the upper machine from the bin probe holder by gently tugging on the wire after removing the tape. Feed the bare bin probe through the hole in the bottom of the top machine's floor then the grommet and finally insert the bin probe in the bin probe holder and install into a pre-cut hole next to the bottom machine's bin probe.

